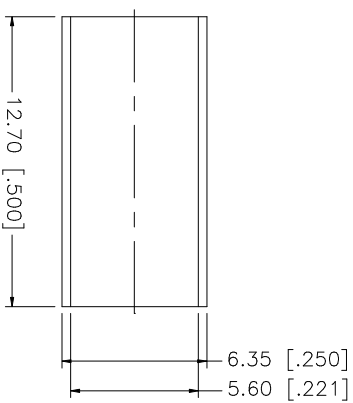
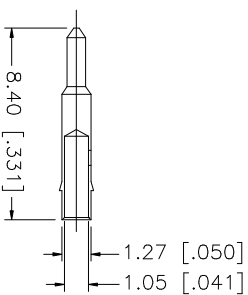
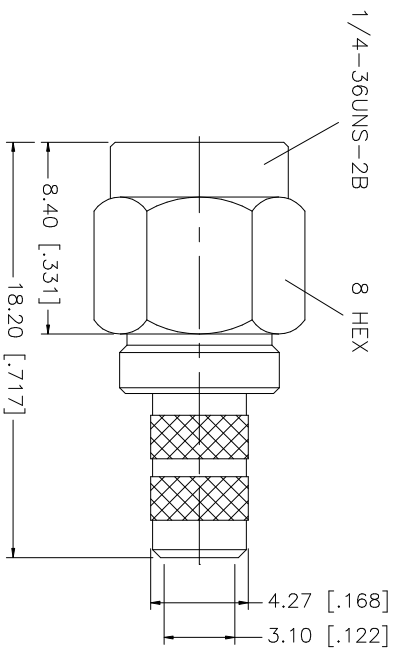
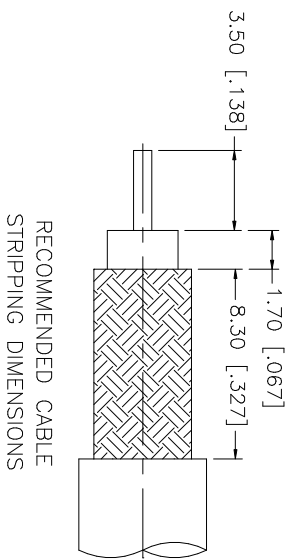


REV.	DATE	DESCRIPTION
A	04/31/03	UPDATE DRAWING FORMAT



- CRIMP NOTES:
1. CRIMPED FERRULE  
HEX CRIMP SIZE .213"
  2. SOLDER CENTER CONTACT

UNLESS OTHERWISE SPECIFIED DIMENSIONS ARE IN INCHES AND FOR CUSTOMER REFERENCE ONLY.		UNLESS OTHERWISE SPECIFIED DIMENSIONS ARE IN MILLIMETERS ARE TOLERANCES FOR MILLIMETERS ARE:		UNLESS OTHERWISE SPECIFIED DIMENSIONS ARE IN INCHES ARE TOLERANCES FOR INCHES ARE:	
8					
7					
6	FERRULE	COPPER	GOLD	1	
5	GASKET	SILICONE	RED	1	
4	RETAINER RING	BEF. COPPER	NATURAL	1	
3	CONTACT PIN	BRASS	GOLD	1	
2	INSULATOR	TEFLON	NATURAL	1	
1	BODY	BRASS	GOLD	1	
DESCRIPTION		MATERIAL	FINISH	QTY	
					DO NOT SCALE DRAWING
APPROVALS		DATE			
DRAWN G.R.S.		04/31/03			
CHECKED					
ISSUED					
SHEET 1 OF 1					
PART NO.		132195			
PART DESCRIPTION		SMA CRIMP PLUG			
		(FOR RG-55/U, 142A/U, 223/U, 400/U)			
DWG. NO.		132195.DWG			
REV.		A			
SIZE		A			
SCALE		NA			

**Amphenol Connex**